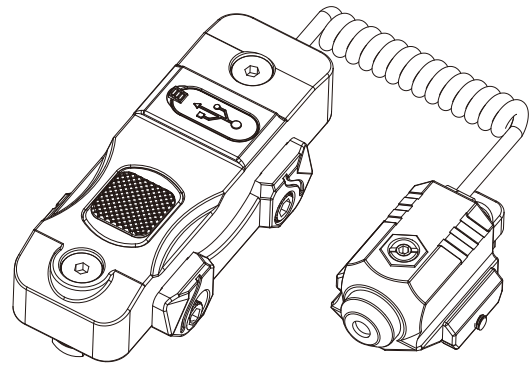


Remote Switch Laser Sight for Picatinny Rail and M-Rail

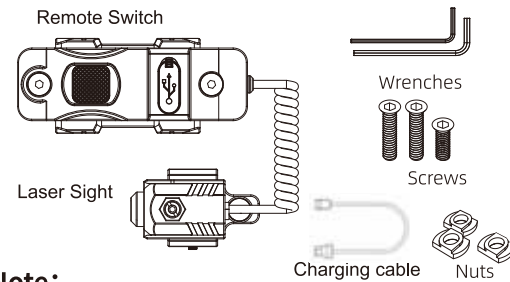


USER MANUAL

1. SPECIFICATIONS

Laser Type	Red	Green	Blue	Purple	IR
Wavelength	650NM	520NM	450NM	405NM	850NM
Running Time	8Hrs	2.5Hrs	2.5Hrs	2.5Hrs	8Hrs
Charging Method	USB Charging				
Laser visible Distance	Maximum 200m during daytime, maximum 2000m at night				
Dimensions	remote switch: 3.14in*1.29in*0.86in Laser Sight: 1.77in*1.06in*0.9in				
Waterproof level	IPX6				
Design Advantages	Compact, lightweight and portable design, does not block the installation of other gun accessories				

2. IN THE BOX

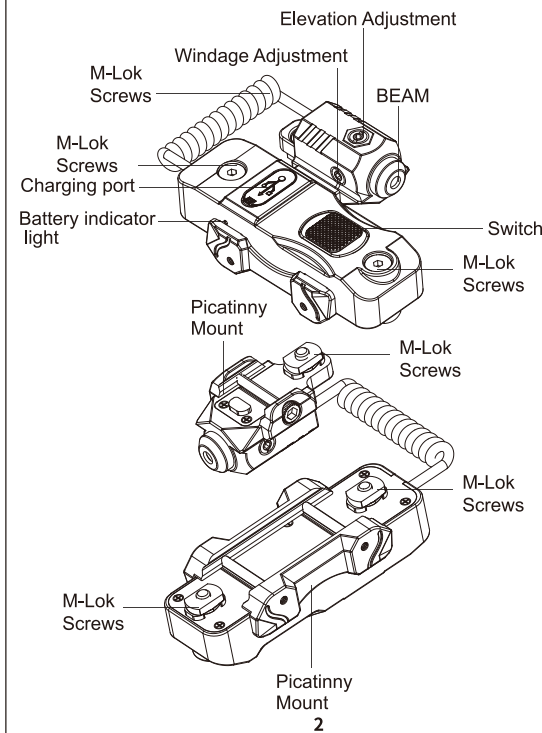


Note:

1 M-LOK screw already installed on the sight, 2 on the remote switch

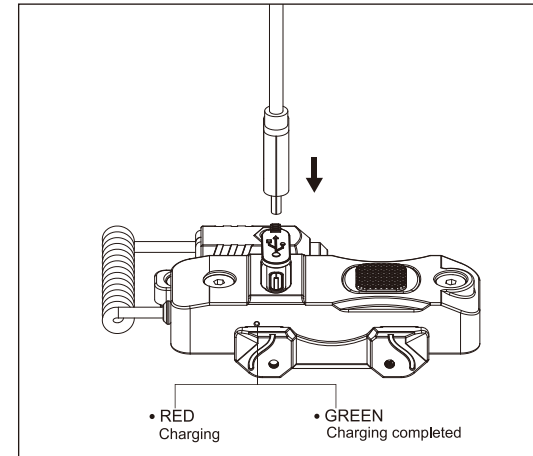
1

3. PRODUCT OVERVIEW



2

4. BATTERY INSTALLATION

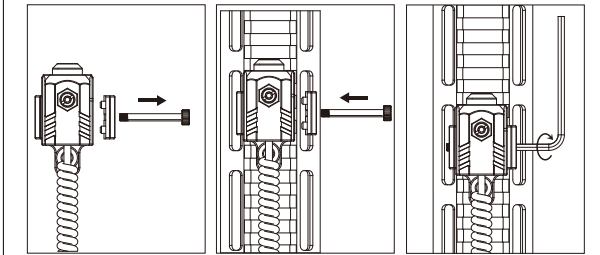


- 1. Please fully charge the product before first use.
- 2. Connect the USB end of the charging cable to an external USB power source, and then attach the other end of the cable to the charging port of the light.
- 3. Under optimal conditions, it takes approximately 3 hours to fully charge the light. For reference only, if the USB power supply is unable to provide a power.

3

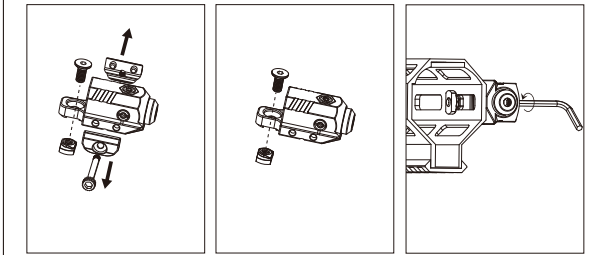
5. LASER SIGHT INSTALL

For Picatinny Rail:



1. Loosen the screws with a wrench
2. Install it on the Picatinny rail.
3. After installing it in place, tighten the screws with a wrench.

For M-Lok rail:

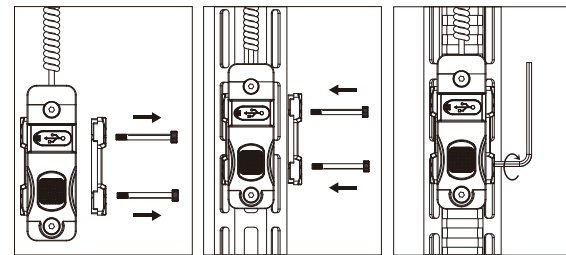


1. Loosen screws to remove the picatinny mount from the remote switch.
2. Install the M-Lok screw.
3. Align the M-Lok rail holes and tighten it with a wrench.

4

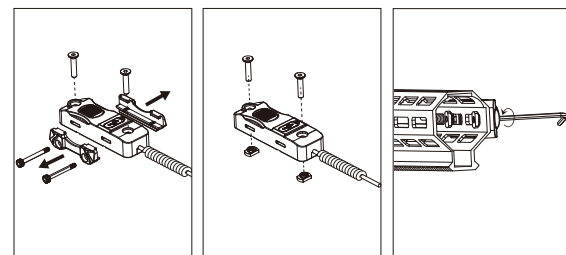
6. REMOTE SWITCH INSTALL

For Picatinny Rail:



1. Loosen the screws with a wrench
2. Install it on the Picatinny rail.
3. After installing it in place, tighten the screws with a wrench.

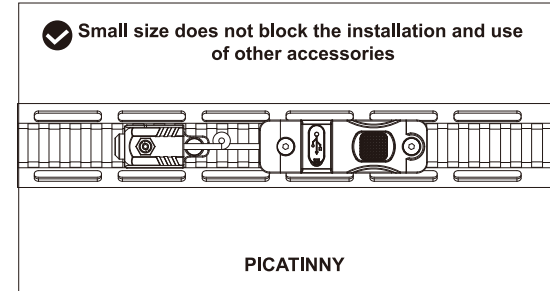
For M-Lok rail:



1. Loosen screws to remove the picatinny mount from the remote switch.
2. Install the M-Lok screw.
3. Align the M-Lok rail holes and tighten it with a wrench.

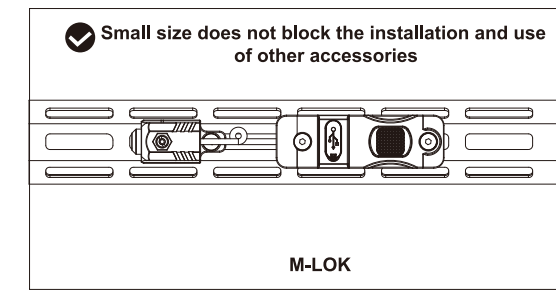
5

7. PICATINNY INSTALLATION RAIL DIAGRAM:



6

8. M-LOK INSTALLATION RAIL DIAGRAM:



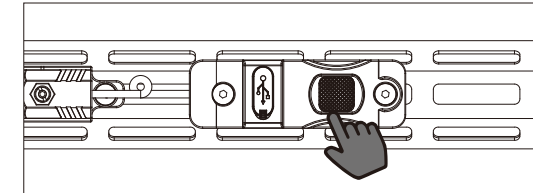
7

Advantage Design:

1. Small size, compact structure, easy to carry.
2. After installation is completed, it will not block the installation of other accessories.
3. compatible with both M19 13 picatinny and M-LOK rails.
4. Rechargeable design, can save money on battery replacement, easy to charge.
5. Remote switch setting for quick aiming

9. REMOTE SWITCH OPERATION

With Remote Switch



1. The laser sight has a large and easy access ON/OFF switch that is friendly for both left-handed and right-handed people.
2. There are two modes that can be operated by the ON/OFF switch:
 - Constant on mode: Press the button once.
 - Strobe mode: Press the button twice quickly to activate strobe mode, and press twice again to revert to constant on mode.

10. LASER CALIBRATION

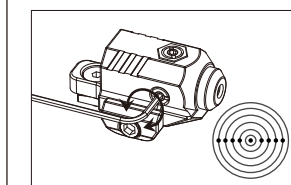
Use the included Allen wrench to rotate the two screw holes on the side/bottom respectively to calibrate the vertical or horizontal angle of the laser.

Attention:

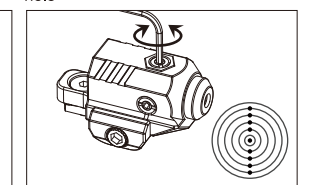
- Please adjust the vertical and horizontal screws holes slowly and interactively, Adjusting only one screw hole may lock or damage the threads.
- Max turn the screw 2 circles in one direction.

8

Elevation Adjustment:
Use a wrench to turn the side screw holes



Windage Adjustment:
Use a wrench to turn the top screw hole



11. DANGER

- DO NOT throw the light directly into human eyes. It may cause temporary blindness, or permanent damage to the eyes.
- DO NOT soak the product in water for a long time

12. WARNING

Keep this product out of the reach of children.
If you are not going to use the Laser Sight for a long time, remove the battery from the Laser Sight.

13. NOTICE

The light emits a powerful beam and may become uncomfortably warm with extended use. This is normal and not indicative of a defect.



9