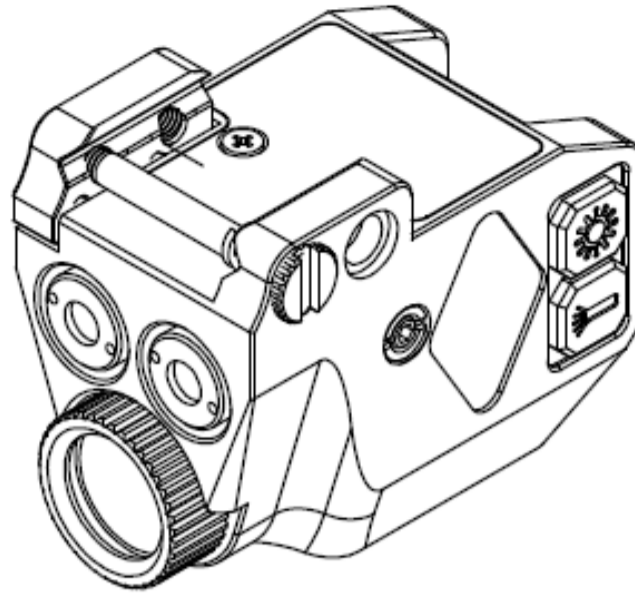


USER MANUAL

Model: GM-1075

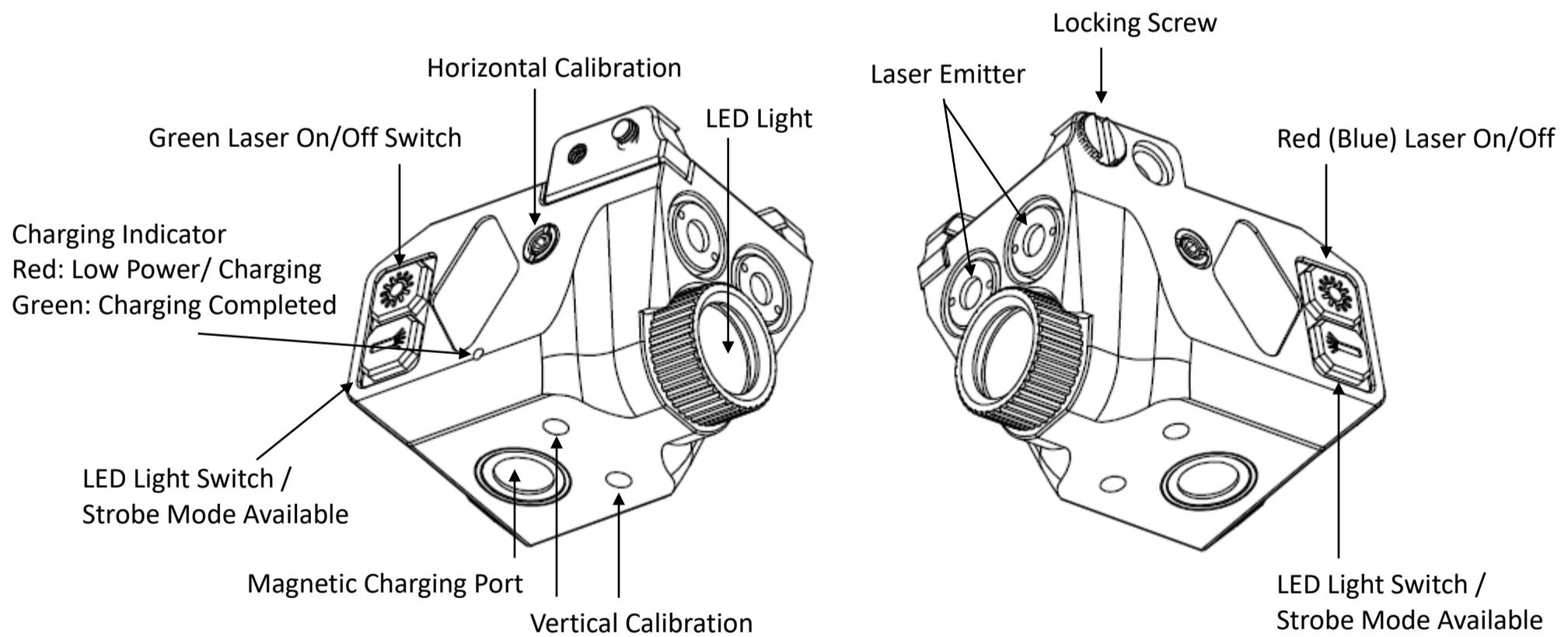


Thank you for purchasing this Laser Sight Product.
Please read this manual carefully before use and keep it for future reference!!

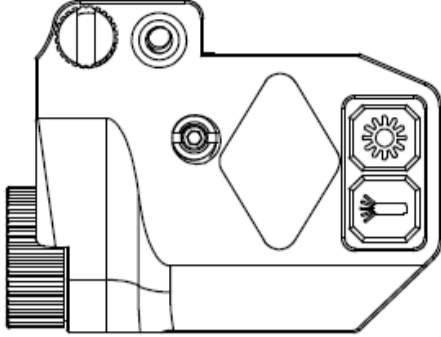
Features:

1. Built-in battery, Magnetic-USB standard 5V charging.
2. Compact, lightweight and portable design.
3. Two different color laser sights and tactical LED light.
4. Water-resistance and shock-resistance.
5. Fit for universal railed mounted pistol. Easy and fast installation.

Product Overview:



Specifications:

			
Wavelength	Green: 520nm	Red: 650nm	Blue: 450nm
Max Output Power	<5mW		
LED Light	White Light, 500 lm Max		
Battery Source	Polymer Battery (Built-in)		
Housing Material	Aluminum Alloy		
Weight	64 g		
Running Time	4hr/laser, 1hr/LED light, 45min/for both laser and LED light		
Charging Time	2hr		

*** The power measurement is performed when the built-in battery is fully Charged.

Delivery Sets:

- Laser Sight x 1 ■ Allen Wrench x 1 ■ Magnetic USB Charging Cable x1
 - Metal Sheet x1 ■ User Manual x1
-

Operating:

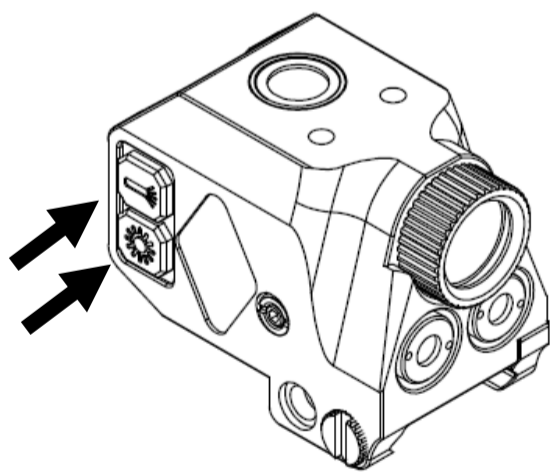
Three Modes:

Laser : Press the laser switch button to turn laser on/off.

Steady Flashlight: Press LED light switch button to turn LED light on/off.

Strobe Flashlight: Press and hold the LED button for 3sec.

Strobe Function Release: Press and hold 3secs again to release strobe function.



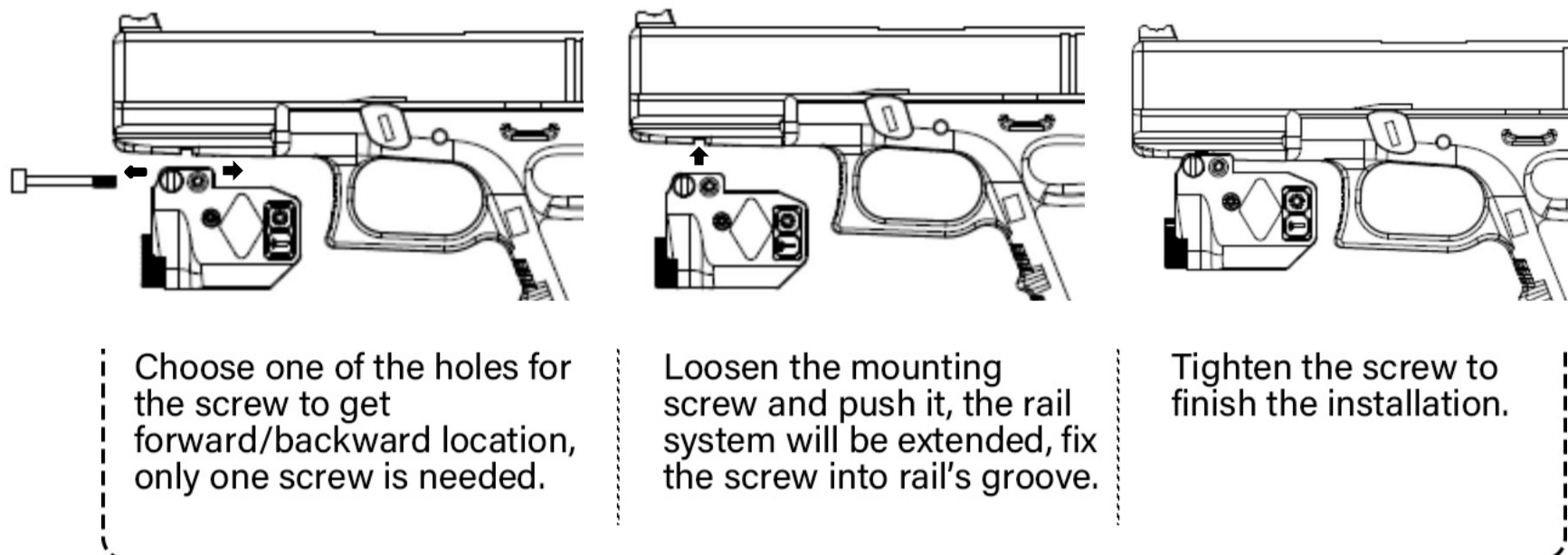
Charging:

WARNING: After first checking to insure that firearm is unloaded has no ammunition in the chamber.

This gun sight is powered by a built-in rechargeable battery, which is charged with a Magnetic USB charging Cable, it can be charged by 5V chargers, such as Computer/Laptop USB ports, phone/tablet chargers etc.

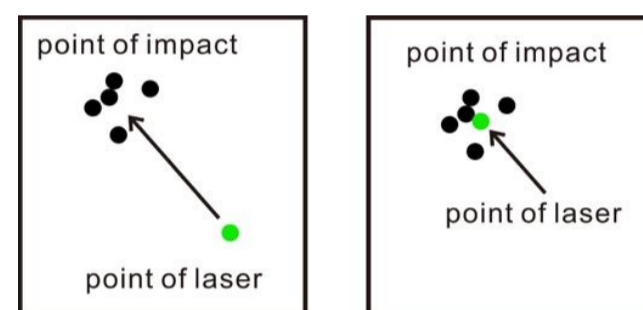
- *** Low power/charging— Indicator is red.
 - *** Fully charged— Indicator is constantly green.
-

Mounting:



Zero Adjustment:

1. Fix the laser sight to the barrel on a firearm.
2. Place the firearm in a vise or on a shooting bench.
3. Place a target about 30m away.
4. The next step assumes that the firearm's iron sights or other sighting system is correctly zeroed for 30m. If not, turn the laser off and fire 5 rounds at the target to see the point of impact grouping. If necessary, adjust your sights to the correct point of impact.
5. Take aim again using the exact same sight picture as in step#4. Turn on the laser sight and you will see the difference in distance between the laser dot and the real point of impact. To adjust the laser to be point of impact the windage and elevation will need to be adjusted. Rotating the windage and elevation with Allen wrench to adjust the laser.
6. Now use the laser sight, aim at the target, and shoot another group of 5 rounds. If the point of the laser is near the points of impact, then the Zero adjustment has been accomplished.



Warranty:

This product is free from defects in materials and workmanship. Within 15 days after receipt, any defective product will be offered free replacement by the manufacturer unconditionally. We will repair or replace, at its option and without charge, any product or part which is found to be defective under normal use and service with 12 months counting from the date of purchasing with the proof of purchase. This warranty does not cover normal maintenance and service and does not apply to any product or part which has been subject to modification.

Warning:

Before beginning the adjustment process, insure that your weapon is unloaded and there is no ammunition in the chamber.
During laser alignment make sure to always keep your weapon pointed in a safe direction away from others and never place your finger on the trigger,
Direct viewing of the laser is hazardous to the eyes.
Never look directly into the laser beam.
Never point laser beam at a person.
Do not allow children to use laser sight unless under adult supervision.



Laser beam is forbidden to shoot eyes and skin directly, blindness and burn will be caused.