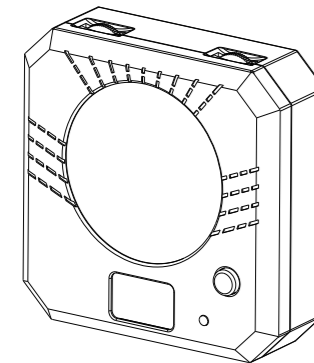
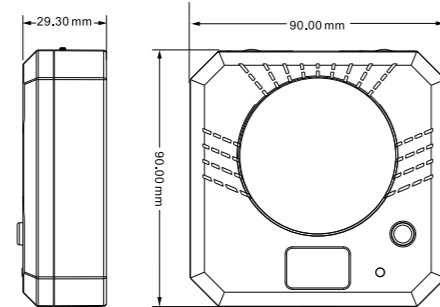


# Portable Laser Target

## User Manual

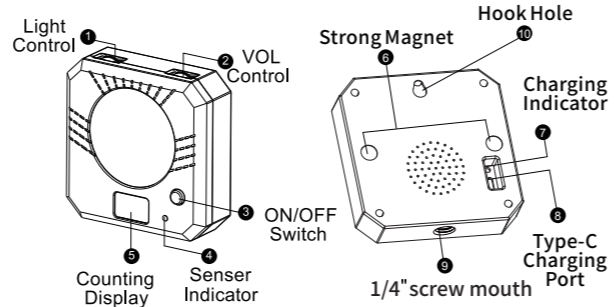


### 01/Specifications



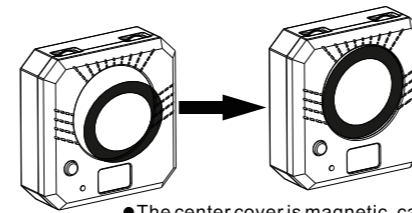
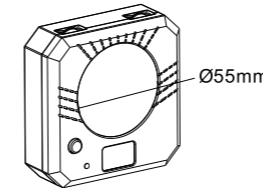
- Laser Target
- Center Cover \* 4
- Metal Sheet
- User Manual
- Type-C Charge Cable

### 02/Function introduct



- 1 Light Control: Control the brightness of the ambient light located in the center of the target.
- 2 VOL Control: Control the volume of the sound when the target is hit.
- 3 ON/OFF Switch: Turn ON/OFF the laser target.
- 4 Senser Indicator
- 5 Counting Display: Show number of hits.
- 6 Strong Magent: Makes the target stick to the surface of the iron.
- 7 Charging Indicator
- 8 Type-C Charging Port
- 9 1/4" screw mouth
- 10 The hook hole can be hung on the hook for use

### 03/Difficulty Grade Options



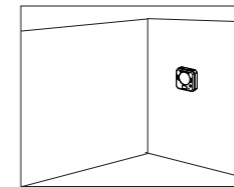
- When the target located 4.5 meters away, it is equivalent to NRA target B-8 at 25 yards.

- The center cover is magnetic, can be attached to the target.

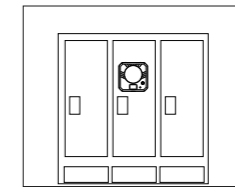
4.5 meters away	HOLD DIA.	NRA B-8
NONE	Ø55mm	7 ring
#1	Ø40mm	8 ring
#2	Ø27.7 mm	9 ring
#3	Ø16.8 mm	10 ring
#4	Ø8.5mm	X ring

### 04/Installation

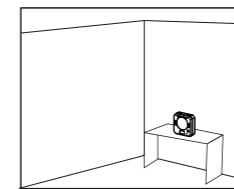
- It is recommended to refer to your height. Mount target at appropriate height to accommodate horizontal run



You can attach the metal sheet to the magnet behind the laser target, then tear off the adhesive tape and stick it to the nonmetallic surface as you wish.



Hang the laser target on steel surface with magnets on rear.



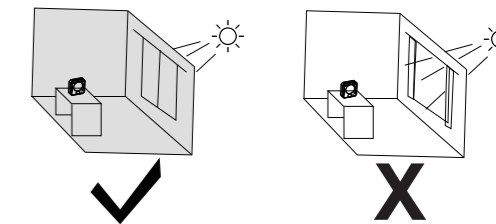
Place the laser target on a flat table



Place the laser target on a 1/4" screw tripod

### 05/ Laser Target Important notes

- This laser target is designed for use in a room. May not work properly in strong light environment. So please do not use it outdoors, nor place it near a window or in a place with strong light.



- Confirm that the laser target may not work properly when exposed to long-distance irradiation, and these reasons may cause the target to work improperly.

- What are the reasons why targets may not work properly?

**The surrounding light is too strong**

Please do not aim at any lights or sunlight, otherwise it may cause some problems. Or readjust the light setting dial. If necessary, use anti-interference shields