



# HD-09

1x20mm COMPACT RED DOT SIGHT

OWNERS MANUAL

## INTRODUCTION

Congratulations on the purchase of your HD-09 Compact Red Dot Sight. The HD-09 is a compact, closed red dot sight for use with modern sporting rifles, carbines, shotguns, crossbows and air rifles. The HD-09 features a crisp, bright 2 MOA dot for rapid target acquisition in any situation. The sight comes with a 1.41inch absolute co-witness Torx cross-bolt riser mounts and select SKUs include allow profile mount. Your HD-09 features MOTACrm which will extend your runtime beyond 40,000 hours of normal use.

## CONTENTS:

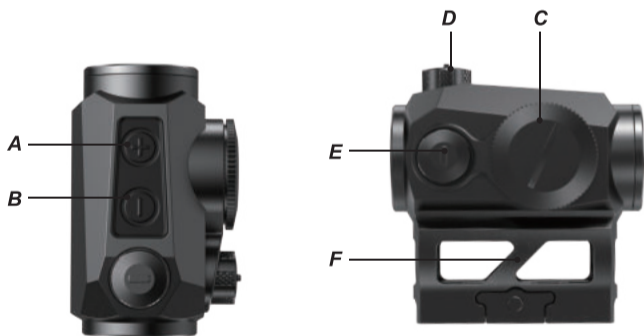
- 1x20mm Compact Red Dot Sight
- Low Profile M1913 Torx mount (select SKUs)
- 1.41" Absolute Co-Witness Riser Torx mount
- Bikini Style Lens Cover
- Torx installation tool
- Lens Cloth
- CR2032 Primary Lithium Coin Cell Battery

## KEY FEATURES:

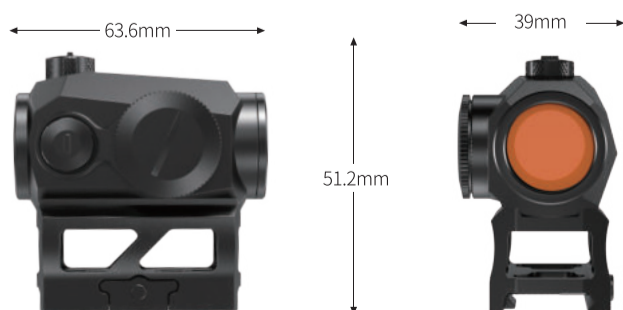
- 2 MOA Dot with 10 illumination settings (8 daylight + 2 NV)
- Motion activated illumination control powers up when it senses motion and powers down when at rest. Extends LED runtime in excess of 40,000 hours in normal use
- 1.41" Absolute Co-Witness Riser Torx mount with each sight. select SKUs include Low Profile M1913 Torx mount.
- Cast from aircraft grade aluminum for ruggedness and durability
- Side loading CR2032 coin cell for easy replacement without sight removal
- Dependable IPX-7 waterproof and fogproof performance

## PRODUCT IDENTIFICATION

- A.(+)Illumination Control-Turn ON/OFF or increase Brightness
- B.(-) Illumination Control-Turn ON/OFF or Decrease Brightness
- C.CR2032 Coin Cell Side Mounted Battery Cap
- D. Elevation Adjustment
- E.windage Adjustment
- F. 1.41" Torx Riser Mount not shown (Low Profile Torx Cross Bolt Mount not shown)



SPECIFICATIONS	
Dot Size	1 MOA
Mag	1X
Correction distance (yad)	50
Parallax(MOA)	≤1
Shock test	1200G/200 times
Adjustment range (MOA)	>45
high-low temperature test	-20°C~ +70°C
Battery	CR2032 Primary Lithium Coin Cell
Waterproofing	IPX-7



## WARNING

Before working on your HD-09 sight always ensure that the firearm is unloaded with the safety on.

## OPERATION

### Installing the Battery

The CR2032 battery compartment is located on the right side of the sight when viewed from the rear or ocular end of the sight. Remove the battery cap by rotating the cap in the counter-clockwise (CCw) direction. Insert the CR2032 coin cell battery negative (-) facing inward and directly in contact with the circuit board. The positive (+) contact should be facing outward. Reinstall the battery cap by rotating the cap in the clockwise (Cw) direction until finger tight.

Note - failure to properly tighten the battery cap could lead to intermittent LED illumination or allow moisture into the battery compartment.



### Turning Sight On and Off/Illumination Control

- The illumination control is located on the top of the sight for easy, ambidextrous access. Press and hold either the (+) or (-) button longer than 1 second to turn the sight on. To turn the sight off press and hold either the (+) or (-) button longer than 1 second and the LED dot should
- Once the aiming dot is illuminated, you can increase the apparent brightness by pressing and releasing the (+) button; or decrease the brightness by pressing and releasing the (-) button.
- The sight features MOTAC and will automatically turn off after approximately 120 seconds of non-use. As soon as the sight senses motion it will automatically power back onto the last saved setting.
- The sight has 10 illumination settings; 8 daytime and 2 night vision.



## MOUNTING THE SIGHT

- The riser Torx mount that comes with your HD-09 is designed to be an absolute or true co-witness to most iron sights with an nominal mount height to optical axis of 1.41 inches. Simply loosen the cross-slot Torx bolt by rotating CCw using the supplied T10 tool. Install the sight on your rail and re-tighten in the CW direction to hand tight plus ¼ turn or approxi-
- An additional low profile Torx mount is provided with each sight for select SKUs. The low profile mount is designed for direct, low profile mounting of the red dot sight. The low profile Torx mount installs in the same manner as the riser Torx mount.
- The HD-09 was designed for use on most types of firearms that utilize the MLL-STD 1913 Picatinny Rail or Weaver style rails. Because the HD-09 has infinite eyerelief, the sight can be mounted anywhere on the rail based on user preference.



## MOUNTING THE SIGHT

- Windage and elevation adjustments are located on the rear top and rear right side of the sight. They each come with caps that when removed can be used to adjust the point of aim of your sight.
- Elevation adjustments-the elevation adjustment is on the top of your sight. To raise the point of impact turn the adjustment CCW with the cap or a flathead screwdriver. Each click is equal to 1 MOA. To lower the point of impact turn the adjustment CW.
- Windage adjustments-the windage adjustment is on the right side of your sight. To shift the point of impact to the right turn the adjustment CCW with the cap or a flathead screwdriver. Each click is equal to 1 MOA. To shift the point of impact to the left turn the adjustment CW.



Elevation Adjustment		
PO Up	↑	↺
POI Down	↓	↻
Windage Adjustment		
POI Right	→	↺
POI Left	←	↻

## MAINTENANCE

- Cleaning-Keep your lenses clear by using a soft cloth or lens pen. The best way to maintain image quality is by keeping your lens surfaces clear of dirt and dust that can cause scratches.
- Always use your bikini lens cover to ensure that the outer lens surfaces remain scratch free during transport.

## TROUBLESHOOTING

Point of impact (POI) changes between groups:

- Check that the mount is affixed tightly to the rail of your firearm.
- Check and clean your firearm.
- Check for variations in ammunition.