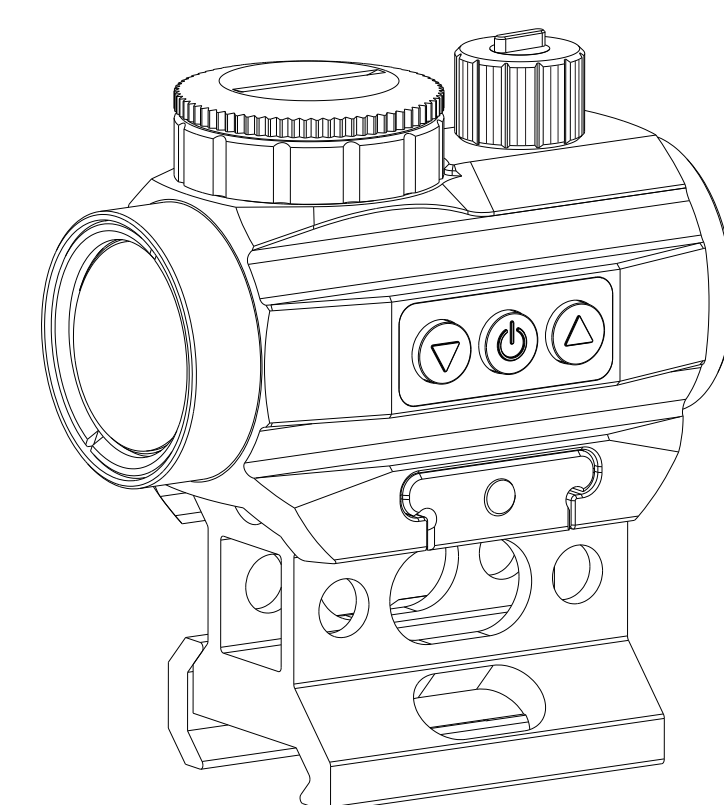


## HD-04 RED DOT SIGHT



## USER MANUAL

## CATALOG

Specifications	02
Product Structure	03
Package Included	04
Battery Installation	05
Illumination Settings	06
Zeroing the Sight	7-9
Maintenance and Care	10
Troubleshooting	11-12
Warranty	12

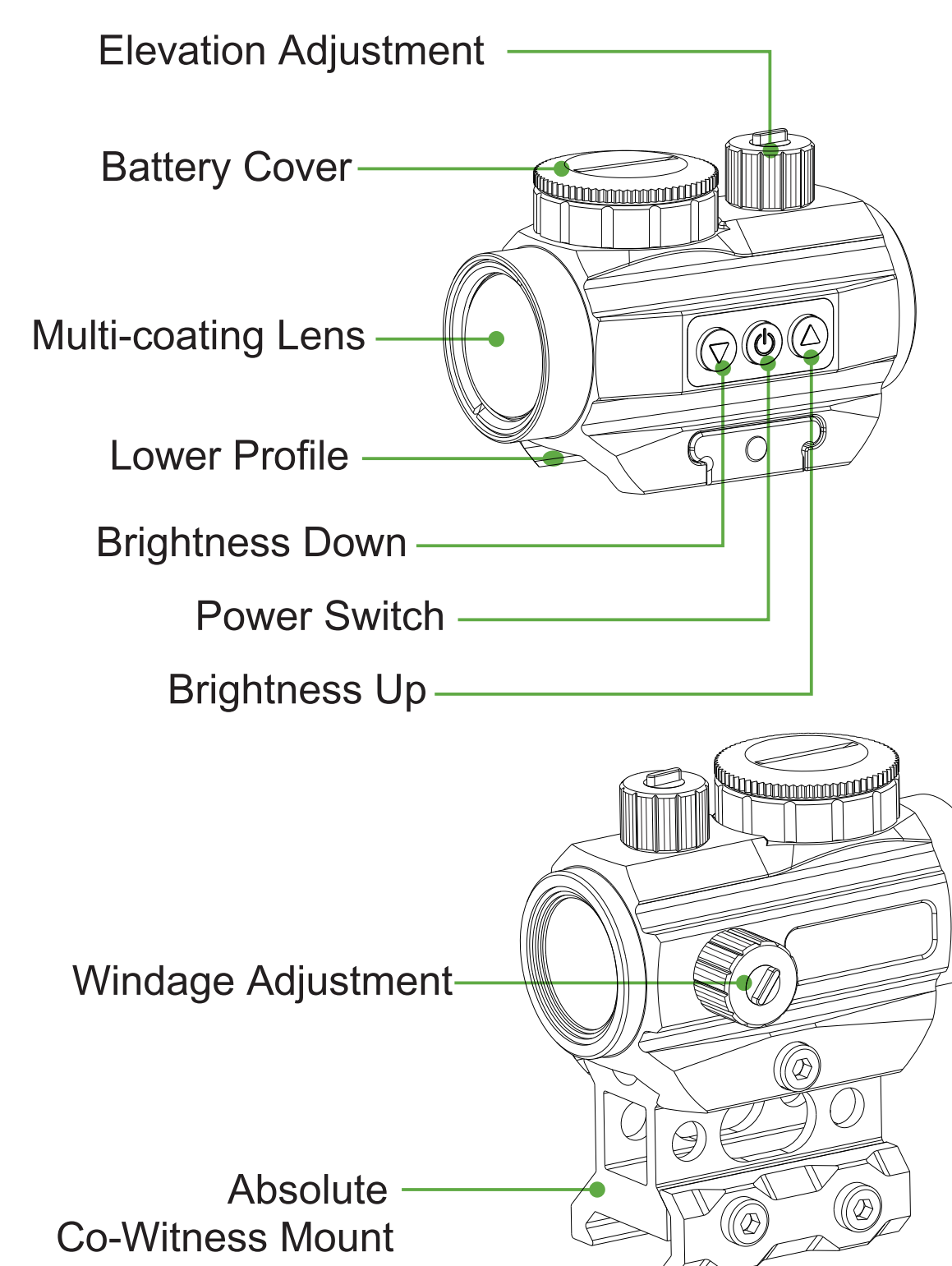
— 01 —

## SPECIFICATIONS

Window Size	20mm
Eye Relief	Unlimited
Brightness Gear	2(NV) + 8
Weight	150.6g
Size	65*44.5*48mm
Reticle	3MOA Dot
Shockproof G Forces	1200G
Waterproof	IPX7
Adjustment Range	± 60 MOA
Click Value	1MOA
Mount Type	Picatinny or Wea
Body Material	6061 Aluminum

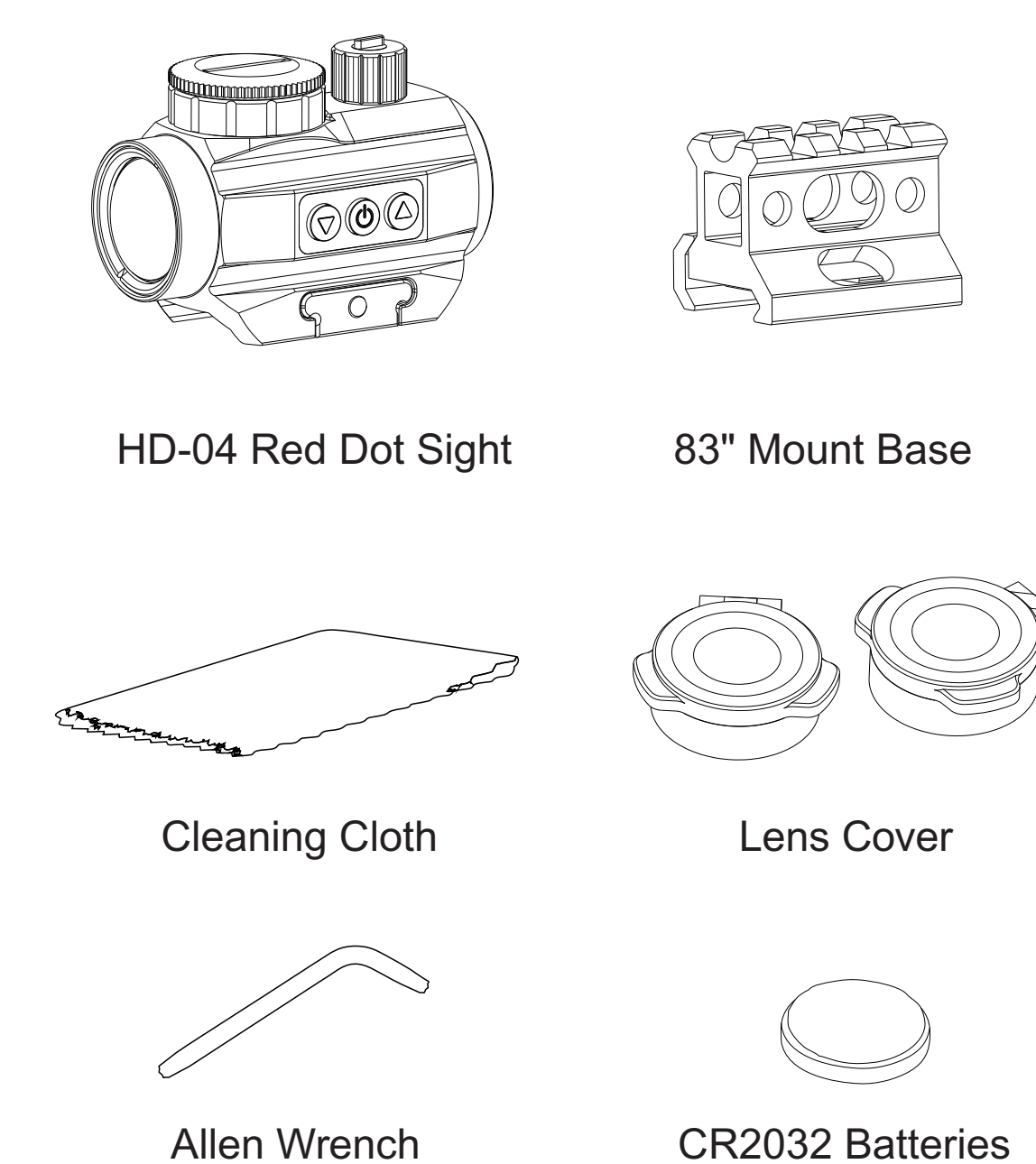
— 02 —

## PRODUCT STRUCTURE



— 03 —

## PACKAGE INCLUDE



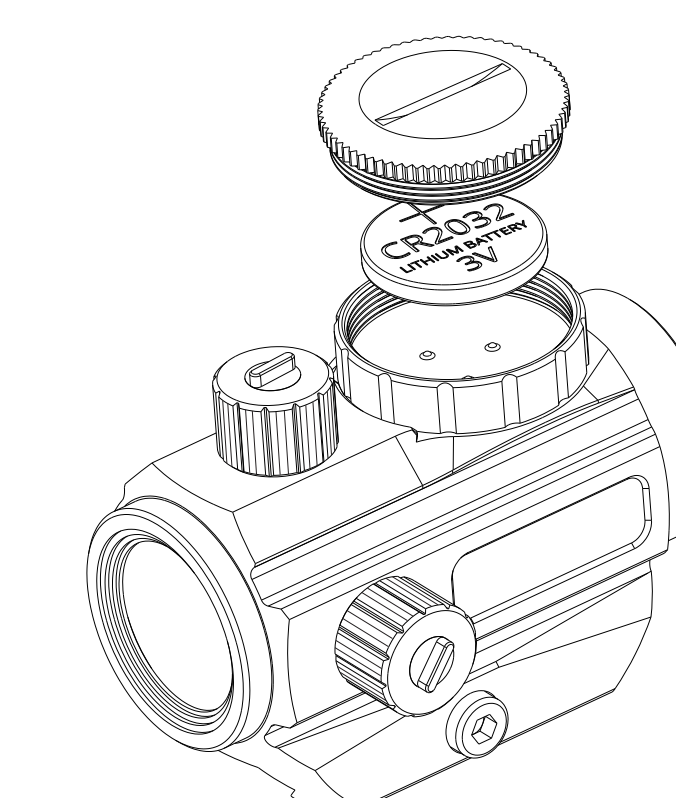
— 04 —

## BATTERY INSTALLATION

The CR2032 battery compartment is located on the top of the red dot scope. Remove the battery cap by rotating the cap in the counter-clockwise (CCW) direction. Insert the CR2032 coin cell battery negative (-) facing inward or directly in contact with the circuit board. The positive (+) contact should be facing outward.

Reinstall the battery cap by rotating the cap in the clockwise (CW) direction until finger tight.

Note: failure to properly tighten the battery cap could lead to intermittent LED illumination or allow moisture into the battery compartment.



— 05 —

## ILLUMINATION SETTINGS

### Motion Activation:

The red dot sight is equipped with motion-sensing technology, which automatically powers it up when it detects motion.

### Power On & Off:

Power On: Press the "⏻" button to turn on the red dot sight.

Power Off: Press the "⏻" button to turn off the red dot sight.

Note: After powering off and restarting the red dot sight, it will retain the brightness level set before shutdown. If the red dot sight was set to NV compatible prior to shutdown, the brightness may appear very dark upon restarting, press the "⏻" button to increase the brightness level.

### Brightness Adjustment:

The red dot sight features a 3MOA red dot and provides 2 (NV) + 8 brightness gears.

Increase the brightness: Press the "⏻" button.

Decrease the brightness: Press the "⏻" button.

Note: For optimal visibility, use lower brightness levels in darker environments and higher brightness levels in bright environments.

### Battery Life:

15.5 hrs continuous use in brightest intensity.

240 hrs continuous use in medium intensity.

480 hrs continuous use in lowest intensity.

— 06 —

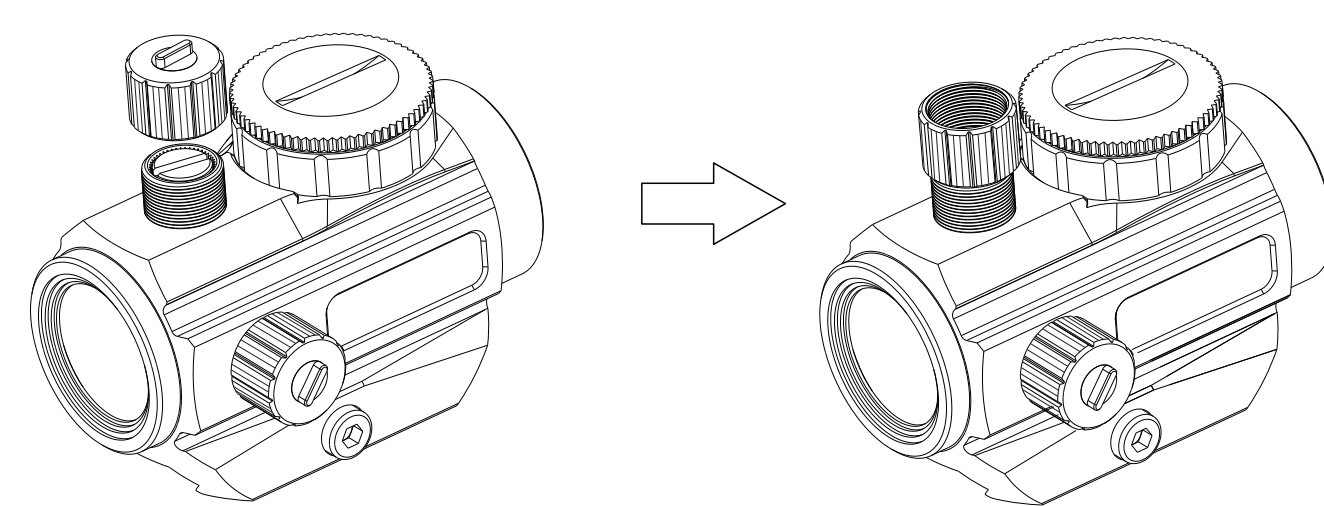
## ZEROING THE SIGHT

The red dot sight allows for a maximum windage and elevation adjustment range of ± 60 MOA, with each adjustment moving the point of impact 1 MOA.

### Elevation Adjustment:

1. "Up" refers to point of impact not the actual red dot! This is an industry wide standard. If you rotate in the direction of the arrow that says "UP" the dot will move Down, meaning the place your bullet will hit moves up (comparitively).

2. The elevation adjustment is located on the top of your red dot scope. To raise the red dot, turn the adjustment clockwise (CW) using the cap or a flathead screwdriver. Each click is equal to 1 MOA. Conversely, to lower the red dot, turn the adjustment counterclockwise (CCW).

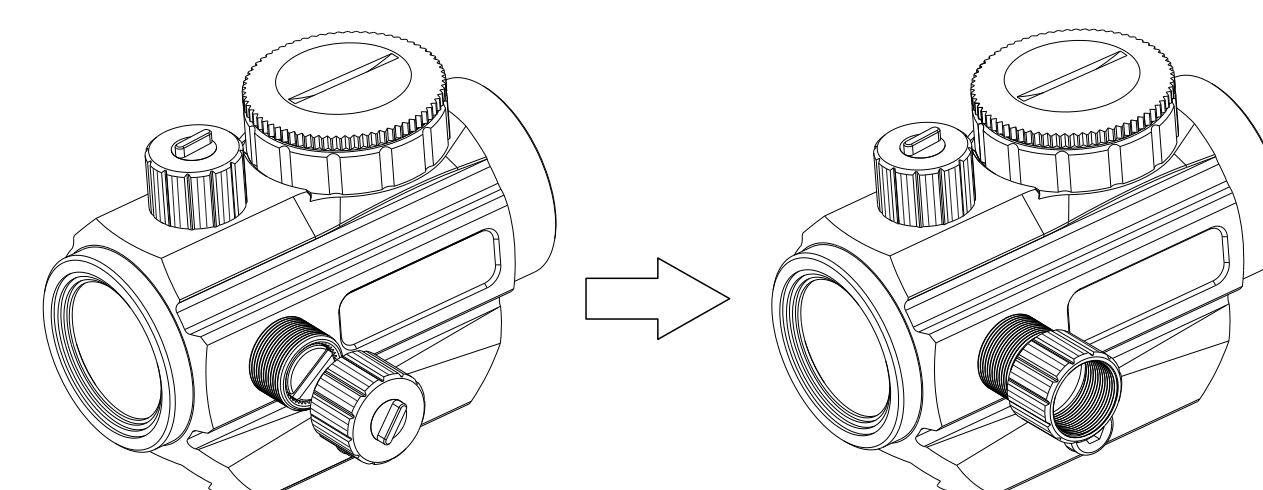


— 07 —

### Windage Adjustment:

1. "R" refers to point of impact not the actual red dot! This is an industry wide standard. If you rotate in the direction of the arrow that says "R" the dot will move left, meaning the place your bullet will hit moves right (comparitively).

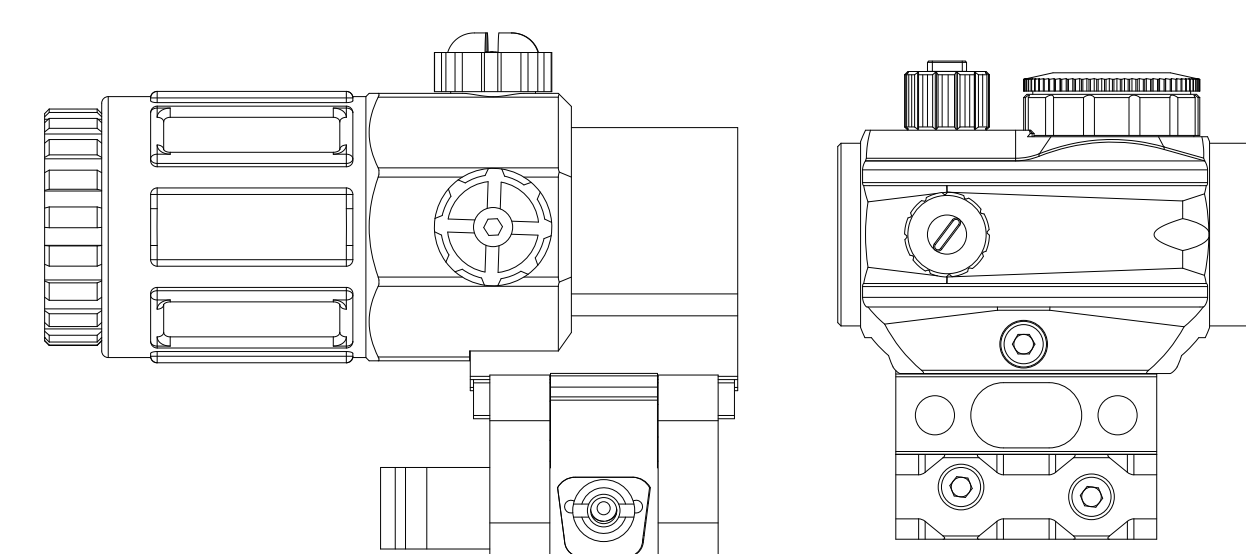
2. The windage adjustment is located on the right side of your red dot scope. To shift the red dot to the right, turn the adjustment clockwise (CW) using the cap or a flathead screwdriver. Each click is equal to 1 MOA. Conversely, to shift the red dot to the left, turn the adjustment counterclockwise (CCW).



NOTE: Red dot sights need to be adjusted by instrument or aiming at a target of 30 to 50 yards (about 27 to 46 meters.) This is because the reflected rays are parallel to the rays seen by the observer, so using an instrument or actually aiming at the target can help to see the movement of the red dot more clearly.

— 08 —

The HD-03 red dot sight with .83" riser mount works perfectly with G33 red dot magnifier.



### Elevation & Windage Adjustment

Windage and elevation adjustments are located on the rear top and rear right side of the sight. They each come with caps that when removed can be used to adjust the point of aim of your sight.

— 09 —

## MAINTENANCE AND CARE

Proper maintenance and care of your red dot sight can help ensure its performance and longevity.

1. Keep the lens clean: Clean the lens regularly with a soft, clean cloth to remove dust, dirt, and debris. Avoid using abrasive materials that can scratch the lens.
2. Store in a safe place: When not in use, store the red dot sight in a cool, dry place. Avoid storing it in areas with extreme temperatures, humidity, or moisture.
3. Avoid impact: Although the red dot sight is designed to be durable, avoid impact or dropping the sight as it can damage the internal components.
4. Check battery level: Regularly check the battery level to ensure the red dot sight is functioning properly. Replace the battery as needed.
5. Avoid harsh chemicals: Avoid using harsh chemicals or solvents when cleaning the red dot sight as they can damage the lens and other components.

Note: Never look directly at the sun with this red dot, as it can cause serious eye injury.

Follow these guidelines to ensure your red dot sight stays properly maintained and cared for. This will provide you with accurate and reliable performance when you need it most.

— 10 —

## TROUBLESHOOTING

If the red dot does not light up, please check the following before returning:

1. Is the battery direction correct? Make sure the battery is installed with the + side facing up.
2. Is the battery discharged? If so, replace the battery.
3. Is the brightness level set to NV?

The red dot sight saves the brightness setting from before shutdown and restores it upon restarting. If set to Night Vision mode (NV) before shutdown, the brightness might seem dim upon restarting. In that case, please press the "⏻" button to increase the brightness level.

If the red dot is blurry, check the following before returning:

If the red dot appears blurry, resembling a star, or is distorted at certain brightness settings, this could indicate red dot astigmatism. To confirm whether the issue is with the dot itself, try observing it through your phone's camera.

If there is glare on your lenses, please check the following before returning them:

Whether the brightness level matches the ambient brightness, please adjust the brightness according to the ambient light. When the light is dark, please lower the brightness; when the light is bright, please increase the brightness level.

— 11 —

Note: What makes the front end of a red dot scope special is the arrangement of the spherical objective lens. Unlike conventional rifle scopes that place all the lenses perpendicular to the axis of the barrel (at a 90-degree angle), the objective lens on a red dot scope is positioned slightly off-axis, appearing to be tilted (see illustration for details). This angle allows light produced by a battery-powered LED light source to reflect back into the interior of the lens. Once the red dot is turned on, this reflected light creates the "dot" or aiming reference that the shooter sees. This carefully designed "bending" of the light is one of the reasons why today's red dot scopes are so popular and easy to use.

### WARRANTY

Our red dot sights come with a limited warranty against defects in materials and workmanship for three years from the date of purchase. This warranty does not cover damage caused by misuse, abuse, or improper installation. If you encounter any issues during the warranty period, please contact our customer service team for assistance. We will repair or replace the sight at our discretion. Proof of purchase may be required.

— 12 —